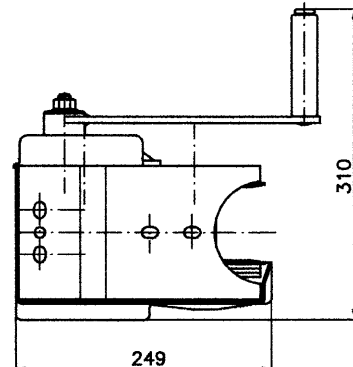
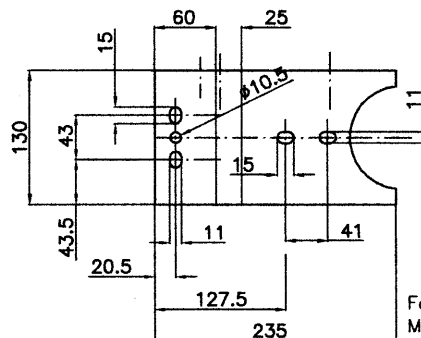


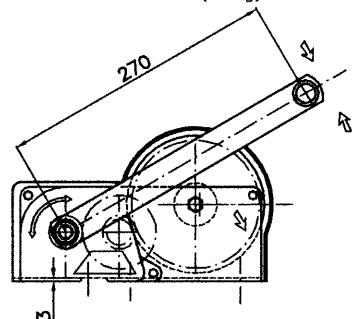
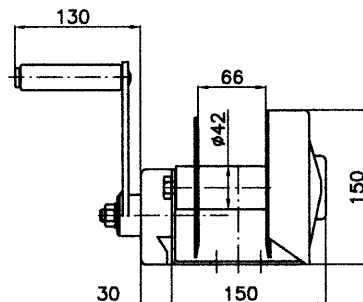
CODICE : 950.270.02C

Rapporto riduzione 1:9.6
Trazione 9300N (950 Kg)

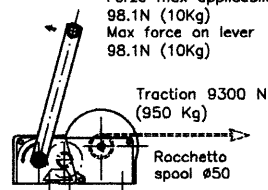
Reduction ratio 1:9.6
Traction 9300N (950 Kg)



Forza max applicabile 196.2N (20Kg)
Max force on lever 196.2N (20Kg)



Forza max applicabile
98.1N (10Kg)
Max force on lever
98.1N (10Kg)



Forza max applicabile
196.2N (20Kg)
Max force on lever
196.2N (20Kg)

